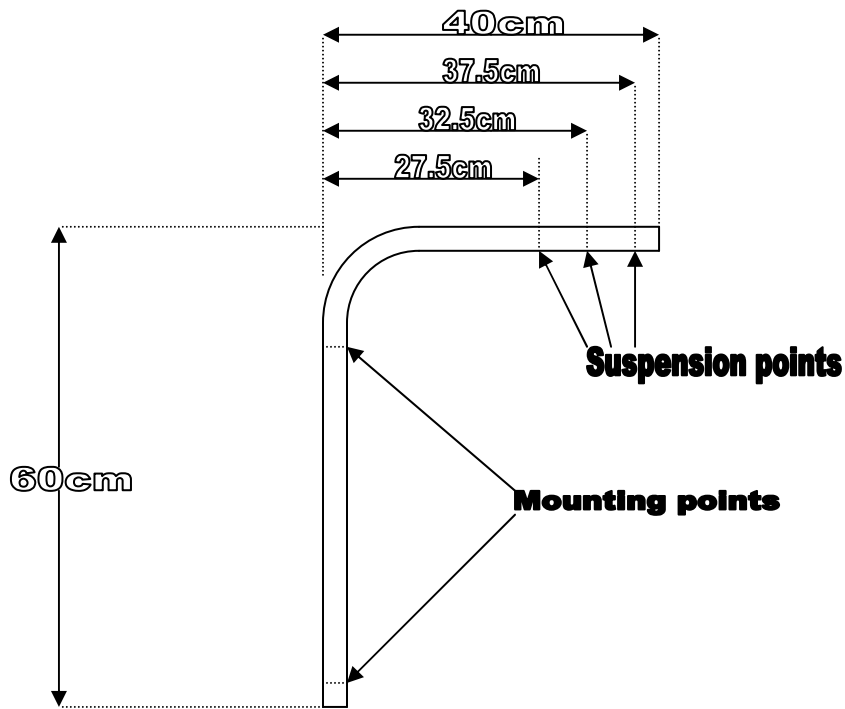
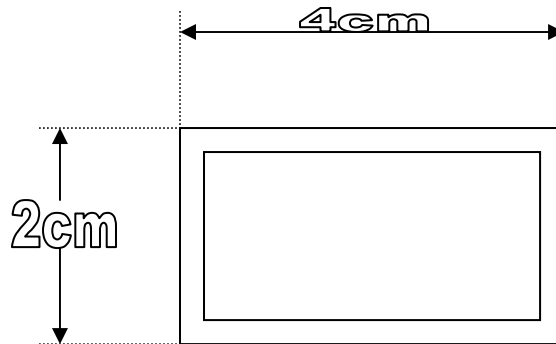


Dimensions of bracket available for wall mounting of pendant lamps



The bracket comes supplied with rubber bungs in order to close suspension points that are not used.

Cross section of bracket:



The bracket is available in a choice of silver, black, or white